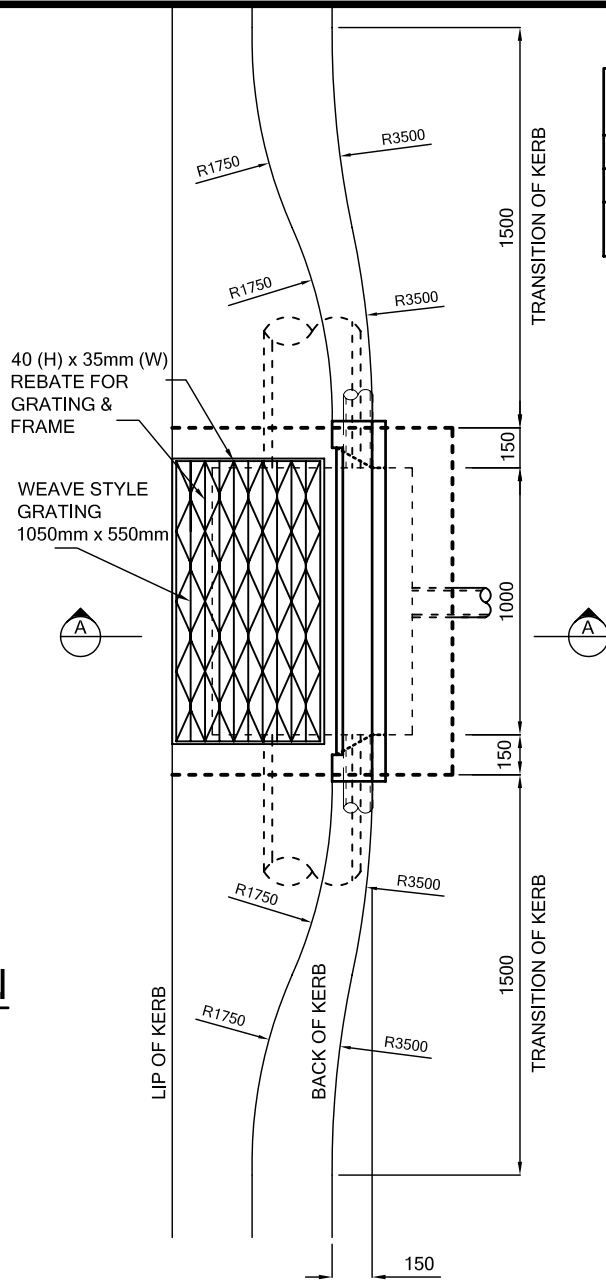


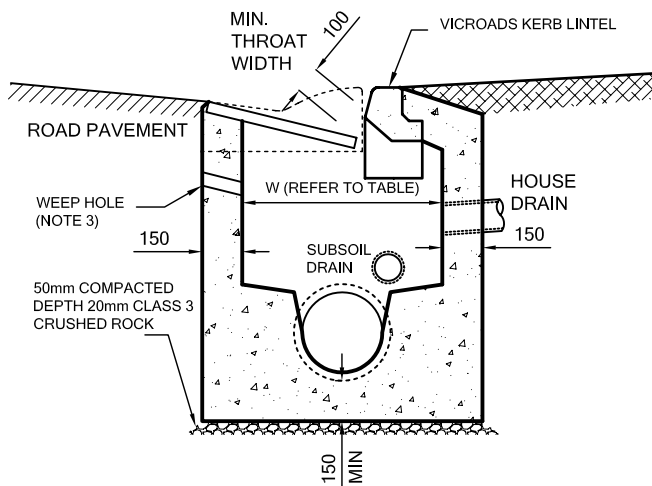
PIT DEPTH	INTERNAL DIMENSIONS		MAX. PIPE Ø
	L	W	
UP TO 1.5m	1000	750	450
1.5m TO 2.5m	1000	900	600

* STEP IRONS REQUIRED FOR PITS DEEPER THAN 1.0m

PLAN



SECTION A-A



NOTES:

1. ALL DIMENSIONS ARE IN MILLIMETRES UNLESS STATED OTHERWISE
2. ALL CONCRETE SHALL BE MINIMUM 25MPa STRENGTH
3. PROVIDE Ø50 WEEP HOLE TO DRAIN PAVEMENT BOXING DURING CONSTRUCTION

AMENDMENTS	DATE		GRATED SIDE ENTRY PIT (ROLLOVER KERB & CHANNEL)	DRAWN BY: WDA
ORIGINAL - WDA	8/97			DATE: JAN '07
SUBSOIL DRAIN	2/12/98			SCALE: N.T.S.
THROAT DEPTH	4/10/99			DRAWING NO.: SD / P3
UPDATED NOTES & DETAILS	1/07			MANAGER CIVIL DEVELOPMENT SERVICES 