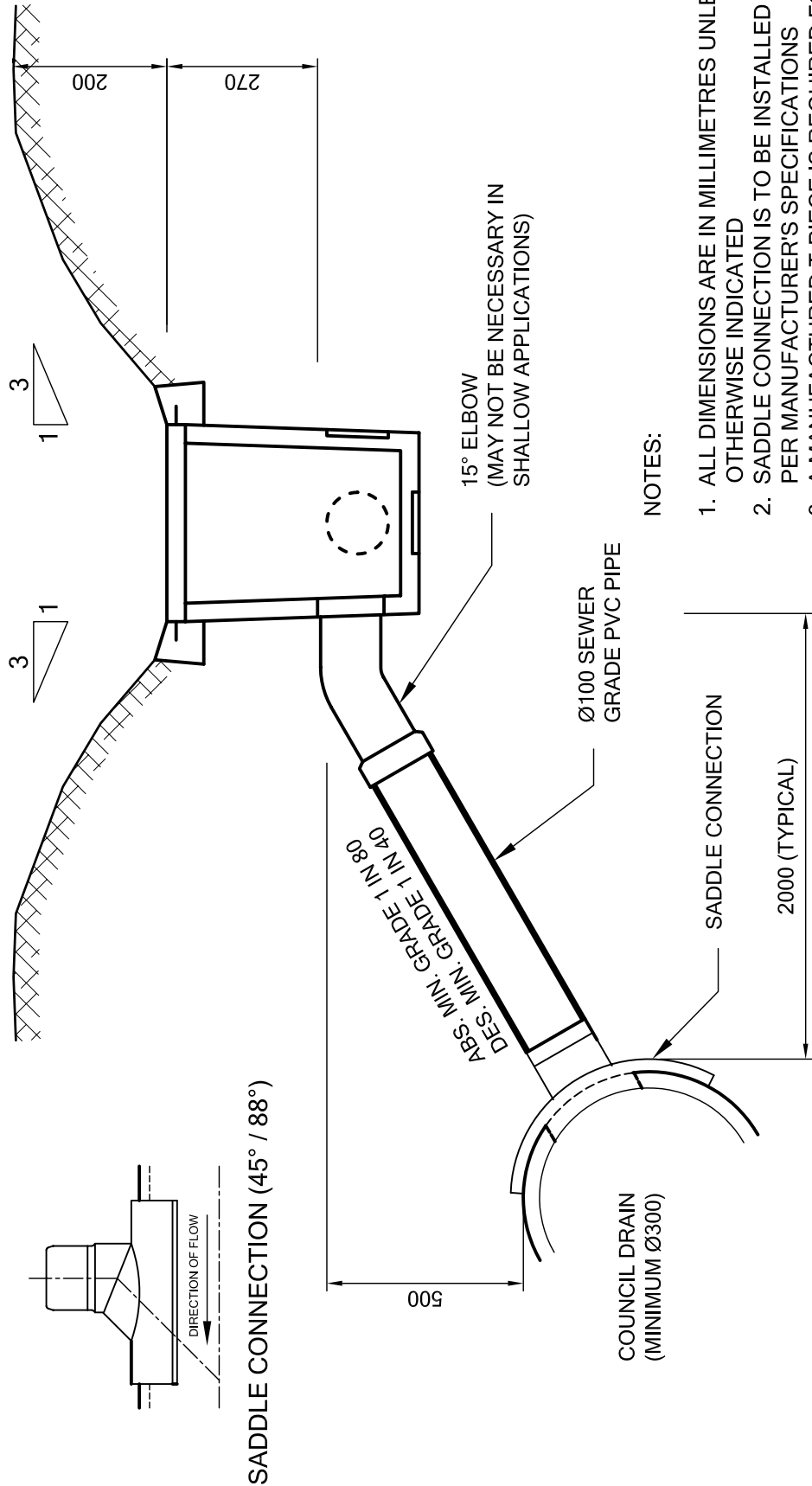


PROPERTY INLET PIT TYPE B

USE WHERE DEPTH TO TOP OF COUNCIL DRAIN IS < 1.00m



NOTES:

1. ALL DIMENSIONS ARE IN MILLIMETRES UNLESS OTHERWISE INDICATED
2. SADDLE CONNECTION IS TO BE INSTALLED AS PER MANUFACTURER'S SPECIFICATIONS
3. A MANUFACTURED T-PIECE IS REQUIRED FOR Ø150 & Ø225 PIPES

AMENDMENTS	DATE
ORIGINAL - WDA	8/97
UPDATED NOTES & DETAILS	1/07



**PROPERTY INLET PIT
TYPE B**

MANAGER CIVIL DEVELOPMENT SERVICES

H. J. J. J.

DRAWN BY:	WDA
DATE:	JAN '07
SCALE:	N.T.S.
DRAWING NO.:	SD / H5