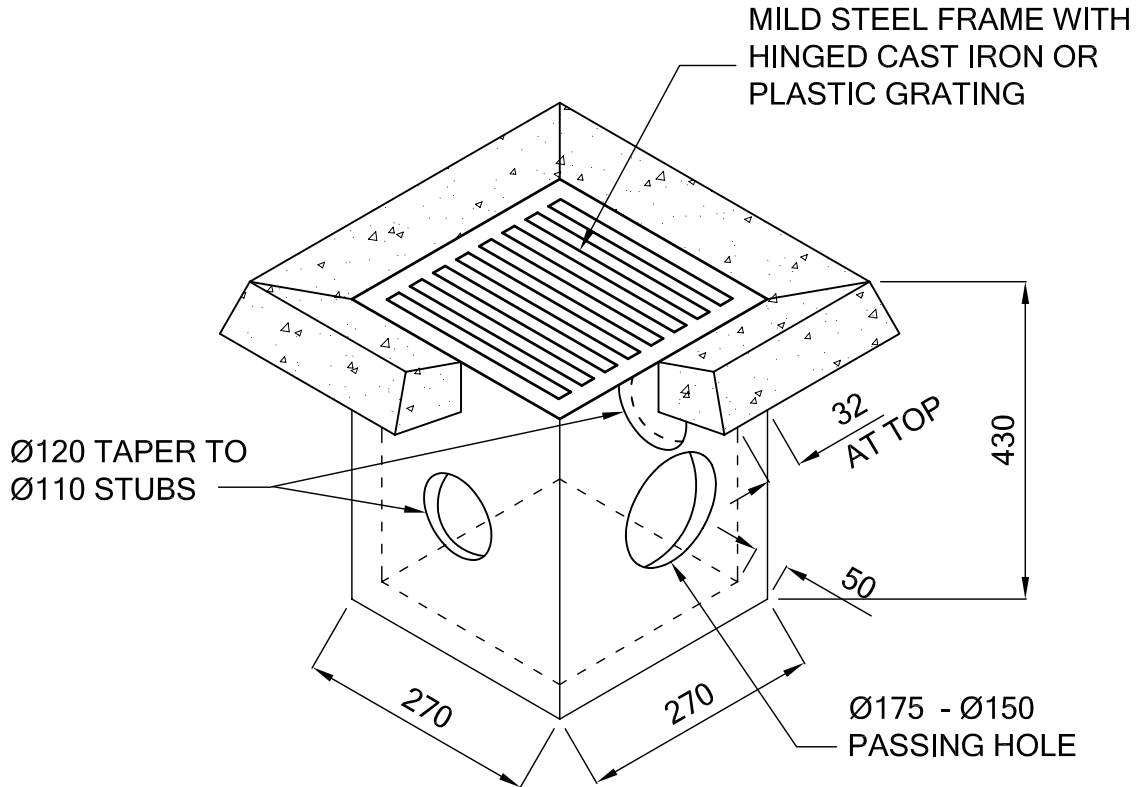
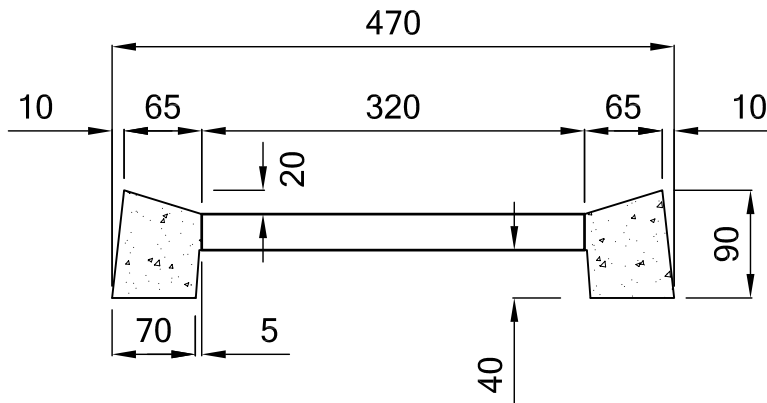


PROPERTY INLET PIT
SERIES: 300 x 300



KNOCKOUT HOLE FORMERS
LOCATED AT 20mm ABOVE INVERT.
HOLES CAN BE RELOCATED TO
INVERT REQUIREMENTS

R.C. FRAME & GRATE INSERT



SECTION (THOROUGH R.C. FRAME)

NOTES:

1. ALL DIMENSIONS ARE IN MILLIMETRES UNLESS STATED OTHERWISE
2. ALL CONCRETE SHALL BE 25MPa MINIMUM STRENGTH

AMENDMENTS	DATE		PROPERTY INLET PIT (SEE ALSO SD / H4, H5, H6)	DRAWN BY: WDA
ORIGINAL - WDA	8/97			DATE: JAN '07
UPDATED NOTES & DETAILS	1/07			SCALE: N.T.S.
				DRAWING NO.: SD / H3
		MANAGER CIVIL DEVELOPMENT SERVICES 		