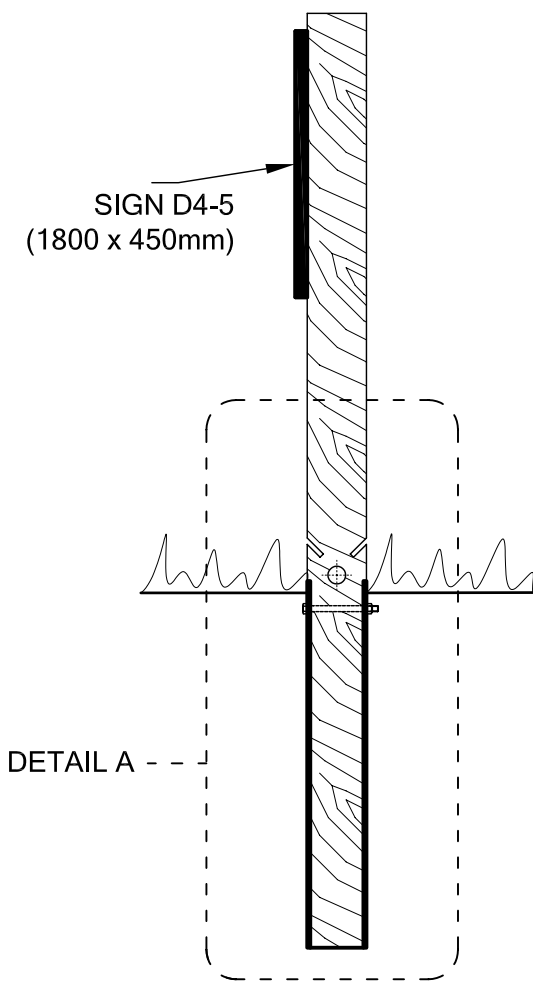
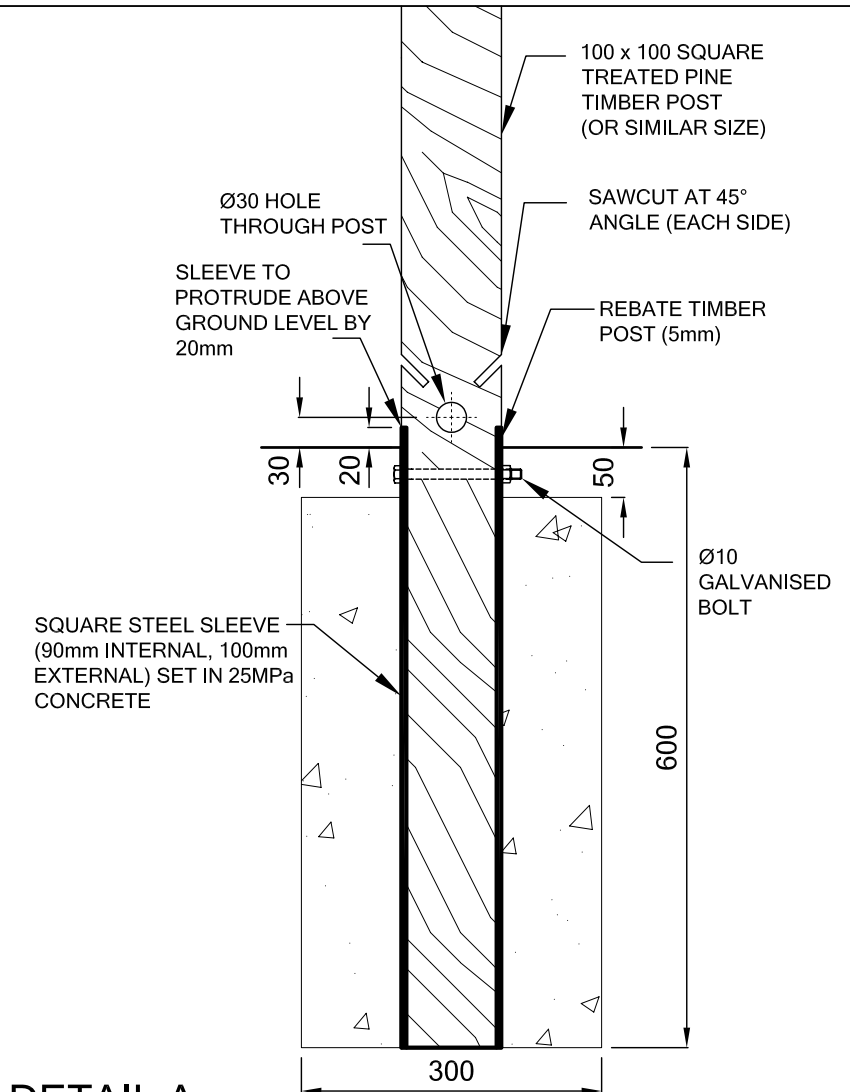


FRONT ELEVATION



END ELEVATION



DETAIL A

NOTES:

1. ALL DIMENSIONS ARE IN MILLIMETRES UNLESS STATED OTHERWISE
2. ALL CONCRETE SHALL BE 25MPa MINIMUM STRENGTH

AMENDMENTS	DATE		ROAD CLOSURE (FRANGIBLE)	DRAWN BY: WDA
ORIGINAL - WDA	8/97			DATE: JAN '07
UPDATED NOTES & DETAILS	1/07			SCALE: N.T.S.
				DRAWING NO.: SD / F13
			MANAGER CIVIL DEVELOPMENT SERVICES	