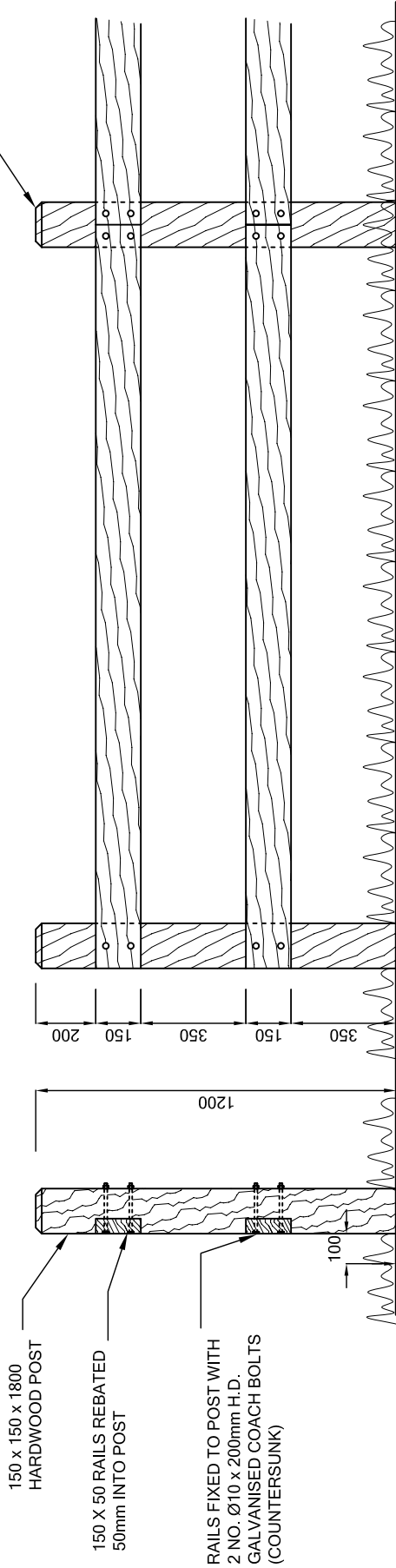


20mm, 45° CHAMFER
TO TOP OF POSTS



FRONT ELEVATION

END ELEVATION

NOTES:

1. ALL DIMENSIONS IN MILLIMETRES UNLESS INDICATED OTHERWISE.
2. TIMBER TO BE FIRST QUALITY CYPRESS PINE, GENERALLY FREE FROM SPLITS AND DEFECTS. LIGHTLY SANDED BACK WITH EXPOSED EDGES ROUNDED OFF.
3. ALL FIXINGS TO BE HOT DIPPED GALVANISED.

AMENDMENTS	DATE
ORIGINAL - WDA	8/97
REDRAW	1/07

**SHIRE
of
YARRA
RANGES**

POST AND RAIL FENCE

MANAGER CIVIL
DEVELOPMENT SERVICES

DRAWN BY:	WDA
DATE:	JAN '07
SCALE:	N.T.S.
DRAWING NO.:	SD / F12