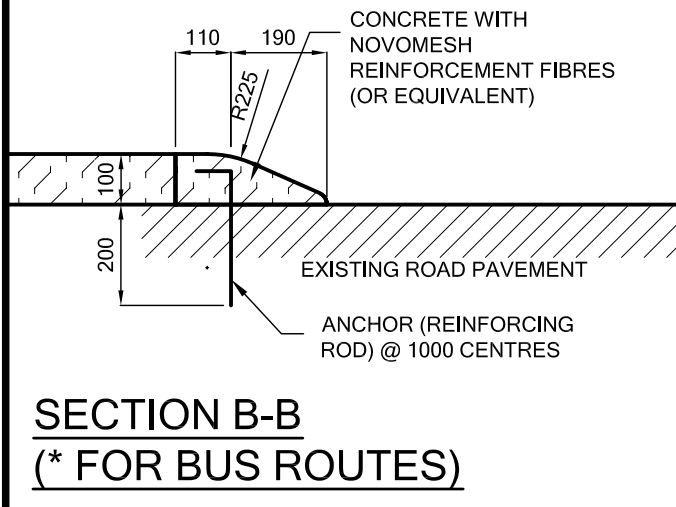
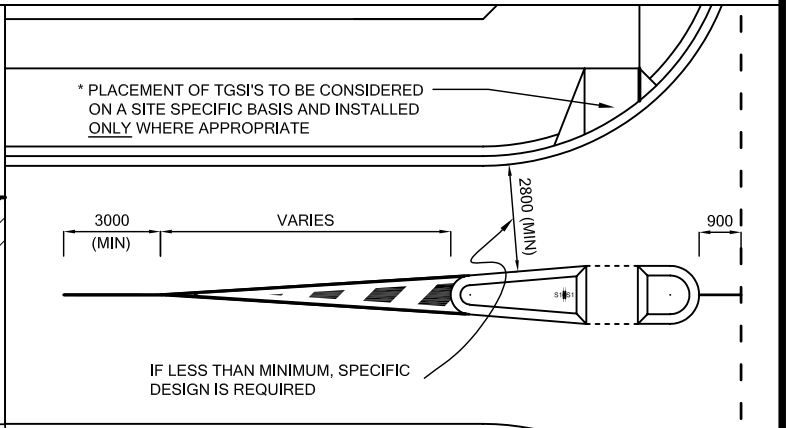
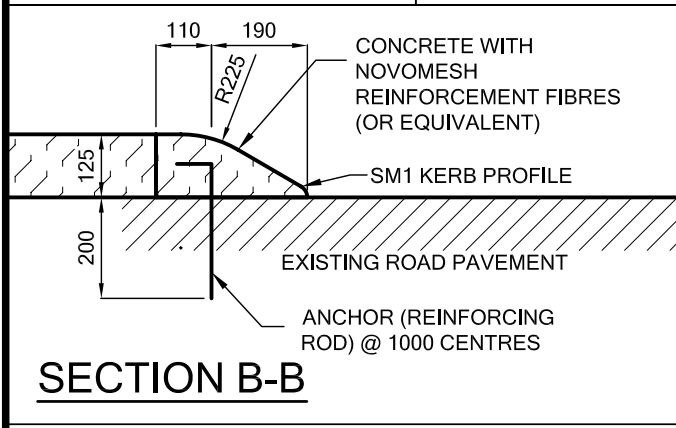
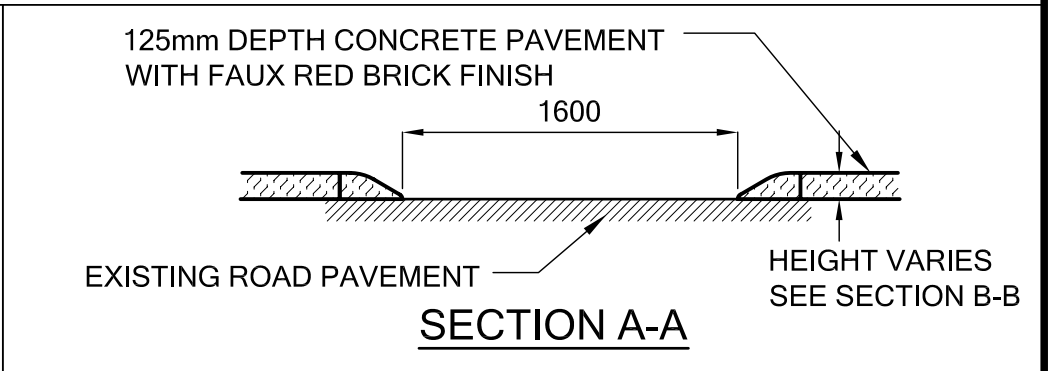
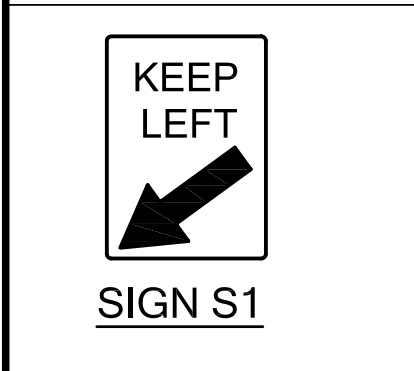
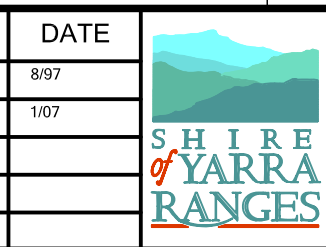


PLAN



- NOTES:**
1. ALL DIMENSIONS ARE IN MILLIMETRES UNLESS STATED OTHERWISE
 2. ALL CONCRETE SHALL BE 32MPA MINIMUM STRENGTH
 3. THIS DRAWING IS TO BE READ IN CONJUNCTION WITH A DETAILED SET OUT PLAN FOR THE SITE OF WORKS
 4. DIMENSIONS OF THE SET OUT PLAN ARE TO PREVAIL
 5. CONCRETE KERBING AND PAVING TO BE CAST IN-SITU
 6. SIGNS TO BE FIXED ON POST MOUNTED IN SLEEVE
 7. THIS STANDARD IS TO BE USED ON EXISTING ROADS WHERE APPROPRIATE

AMENDMENTS	DATE
ORIGINAL - WDA	8/97
UPDATED NOTES & DETAILS	1/07



**SPLITTER ISLAND
(EXISTING ROADS)**

MANAGER CIVIL DEVELOPMENT SERVICES

[Signature]

DRAWN BY: WDA

DATE: JAN '07

SCALE: N.T.S.

DRAWING NO.: SD / T1