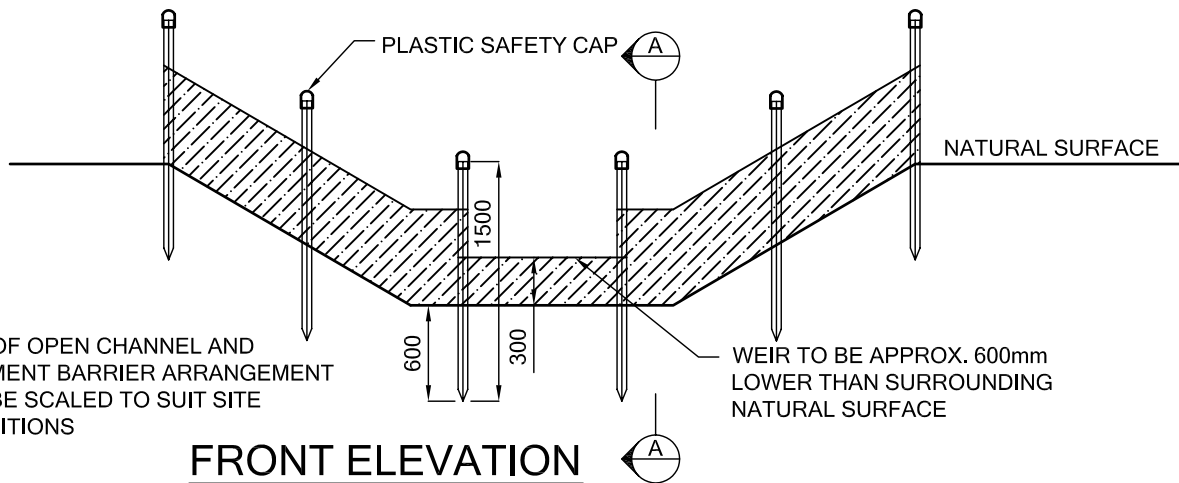
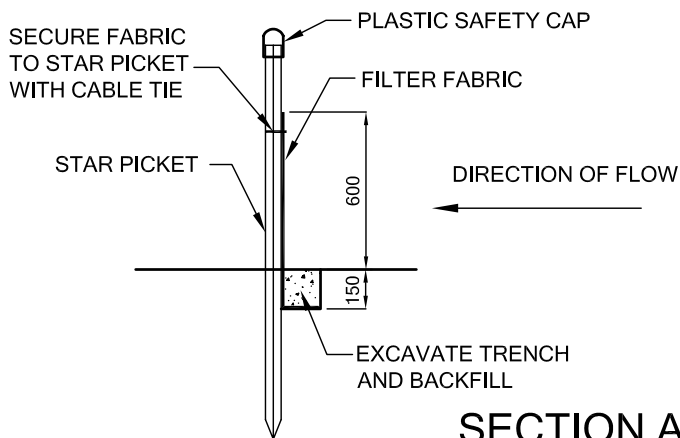


PLAN



FRONT ELEVATION

* SIZE OF OPEN CHANNEL AND SEDIMENT BARRIER ARRANGEMENT CAN BE SCALED TO SUIT SITE CONDITIONS



SECTION A-A

INSTALLATION NOTES:

1. EXCAVATE TRENCH APPROX. 150mm DEEP
2. PLACE FILTER FABRIC IN TRENCH AS SHOWN
3. BACKFILL TO PREVENT WATER PASSING UNDER FILTER FABRIC
4. ACCUMULATED SEDIMENT TO BE REMOVED AND DISPOSED OF PERIODICALLY AND AFTER HEAVY RAINFALL
5. ACCUMULATED SEDIMENT TO BE REMOVED WHEN FENCE IS NO LONGER REQUIRED

AMENDMENTS	DATE		SEDIMENT BARRIER WITH OVERFLOW WEIR (OPEN CHANNEL)	DRAWN BY: AC
				DATE: JAN '07
				SCALE: N.T.S.
				DRAWING NO.: SD / S3
				MANAGER CIVIL DEVELOPMENT SERVICES 