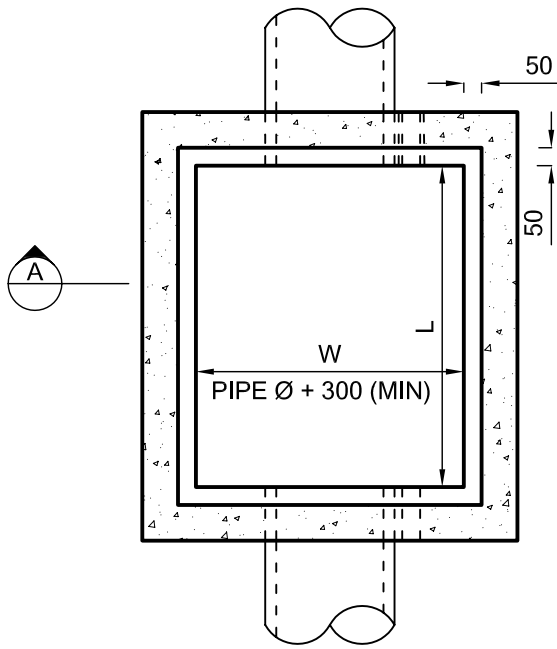
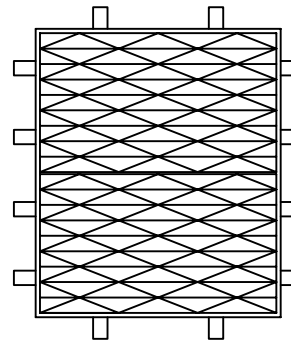
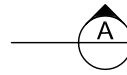


PIT DEPTH (D)	INTERNAL DIMENSIONS		MAX PIPE Ø
	L	W	
UP TO 1.5m	1000	750	450
1.5m TO 2.5m	1000	900	600
OVER 2.5m	SPECIFIC DESIGN REQUIRED		
* STEP IRONS REQUIRED FOR PITS DEEPER THAN 1.0m			



PLAN (WITHOUT COVER)

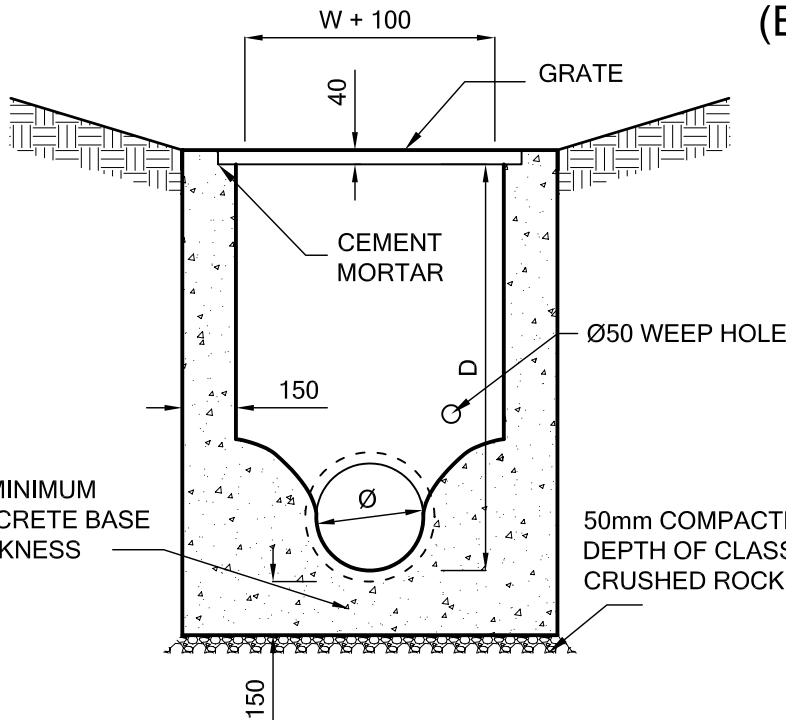


MEDIUM DUTY GRATE TO BE USED IN PUBLIC AREAS (PEDESTRIAN LOADING)

HEAVY DUTY GRATE TO BE USED FOR ROADSIDE PITS (VEHICULAR LOADING)

HEAVY DUTY GRATE TO CONSIST OF 40 x 10mm GALVANISED MILD STEEL BARS

WEAVE STYLE GRATE (BIKE SAFE)



SECTION A-A

NOTES:

1. ALL DIMENSIONS ARE IN MILLIMETRES UNLESS STATED OTHERWISE
2. ALL CONCRETE SHALL BE 25MPa MINIMUM STRENGTH
3. GRATE TO BE FIXED IN POSITION WITH CEMENT MORTAR

AMENDMENTS	DATE
ORIGINAL - WDA	8/97
NOTES	4/10/99
GRATE TYPE	18/12/03
UPDATED NOTES & DETAILS	1/07



GRATED PIT

MANAGER CIVIL DEVELOPMENT SERVICES

DRAWN BY:	WDA
DATE:	JAN '07
SCALE:	N.T.S.
DRAWING NO.:	SD / P6