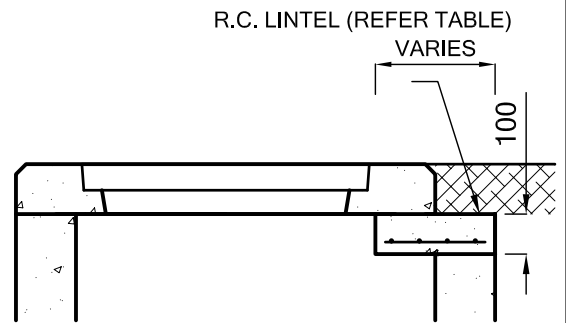
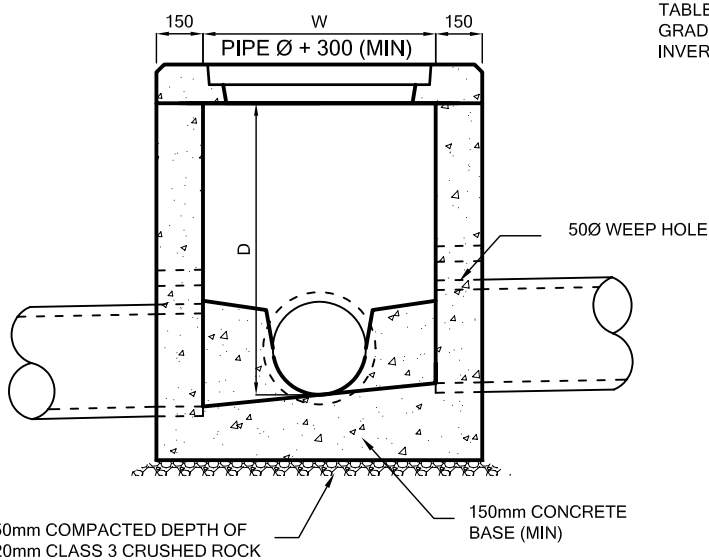


PLAN (WITHOUT COVER)

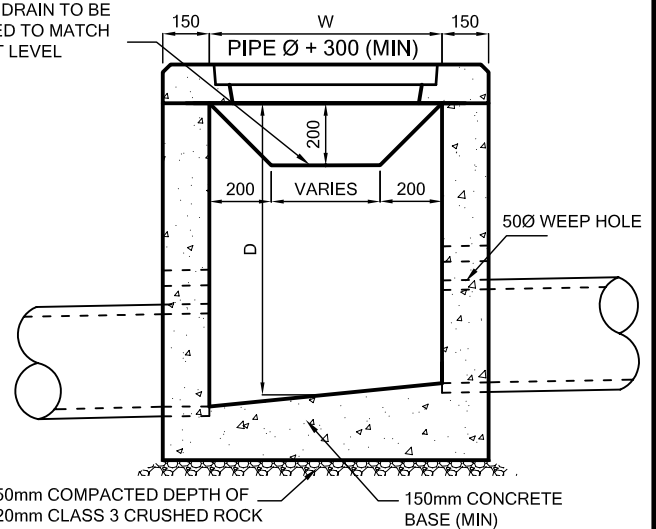


DETAIL (R.C. LINTEL)



SECTION A-A

TABLE DRAIN TO BE GRADED TO MATCH INVERT LEVEL



SECTION B-B

PIT DEPTH (D)	INTERNAL DIMENSIONS		COVER SIZE REQUIRED	R.C. LINTEL	MAX PIPE Ø
	L	W			
UP TO 1.0m	1000	600	VICROADS 1300 x 900	N/A	300
1.0m TO 1.5m	1000	750	VICROADS 1300 X 900 & R.C. LINTEL (REFER DETAIL)	1350 x 300	450
1.5m TO 2.5m	1000	900	VICROADS 1300 x 900 & R.C. LINTEL (REFER DETAIL)	1350 x 450	600
OVER 2.5m	SPECIFIC DESIGN REQUIRED				
* STEP IRONS REQUIRED FOR PITS DEEPER THAN 1.0m					

NOTES:

1. ALL DIMENSIONS ARE IN MILLIMETRES UNLESS STATED OTHERWISE
2. ALL CONCRETE SHALL BE 25MPa MINIMUM STRENGTH
3. R.C. LINTEL REQUIRED FOR PIT GREATER THAN 750 WIDE, INTERNAL (SEE DETAIL). CORBELLED PIT ALSO ACCEPTED

AMENDMENTS		DATE		TABLE DRAIN INLET PIT	DRAWN BY: WDA
NOTE		10/2/99			DATE: JAN '07
LINTEL		4/10/99			SCALE: N.T.S.
UPDATED NOTES & DETAILS		1/07			DRAWING NO.: SD / P5
			MANAGER CIVIL DEVELOPMENT SERVICES		