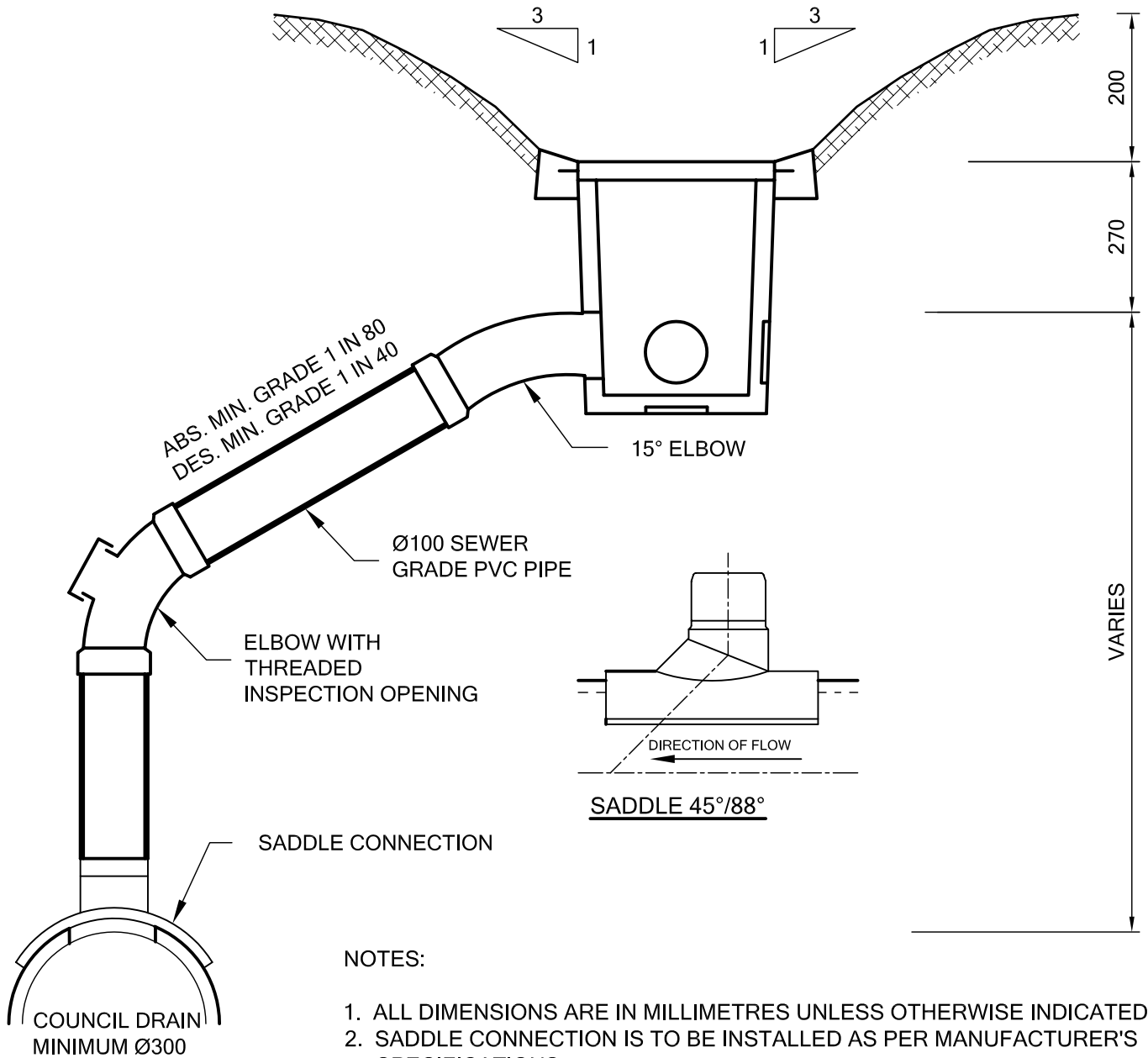


PROPERTY INLET PIT TYPE C

USE WHERE DEPTH TO TOP OF COUNCIL DRAIN IS > 1.00m



NOTES:

1. ALL DIMENSIONS ARE IN MILLIMETRES UNLESS OTHERWISE INDICATED
2. SADDLE CONNECTION IS TO BE INSTALLED AS PER MANUFACTURER'S SPECIFICATIONS
3. A MANUFACTURED T-PIECE IS REQUIRED FOR Ø150 & Ø225 PIPES

AMENDMENTS	DATE		PROPERTY INLET PIT TYPE C	DRAWN BY: WDA
NOTES	11/12/03			DATE: JAN '07
UPDATED NOTES & DETAILS	6/04			SCALE: N.T.S.
				DRAWING NO.: SD / H6
				MANAGER CIVIL DEVELOPMENT SERVICES 