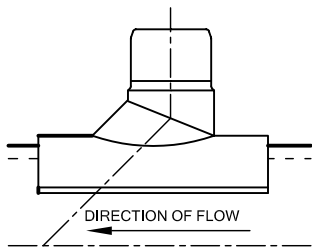
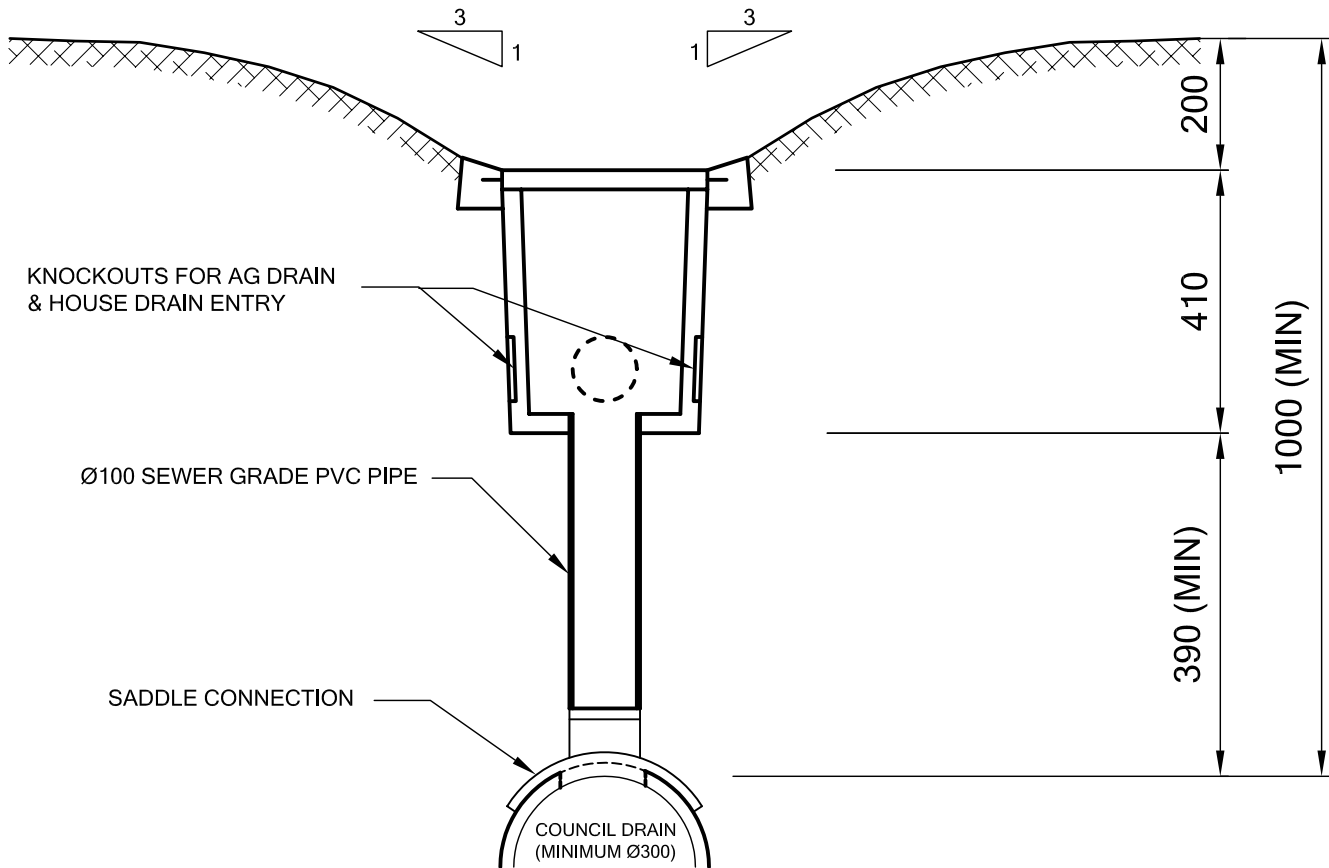


PROPERTY INLET PIT TYPE A

USE WHERE DEPTH TO TOP OF COUNCIL DRAIN IS > 1.00m



SADDLE CONNECTION
(45° / 88°)

NOTES:

1. ALL DIMENSIONS ARE IN MILLIMETRES UNLESS OTHERWISE INDICATED
2. SADDLE CONNECTION IS TO BE INSTALLED AS PER MANUFACTURER'S SPECIFICATIONS
3. A MANUFACTURED T-PIECE IS REQUIRED FOR Ø150 & Ø225 PIPES

AMENDMENTS	DATE		PROPERTY INLET PIT TYPE A	DRAWN BY: WDA
ORIGINAL - WDA	8/97			DATE: JAN '07
UPDATED NOTES & DETAILS	1/07			SCALE: N.T.S.
				DRAWING NO.: SD / H4
			MANAGER CIVIL DEVELOPMENT SERVICES	<i>Handwritten signature</i>