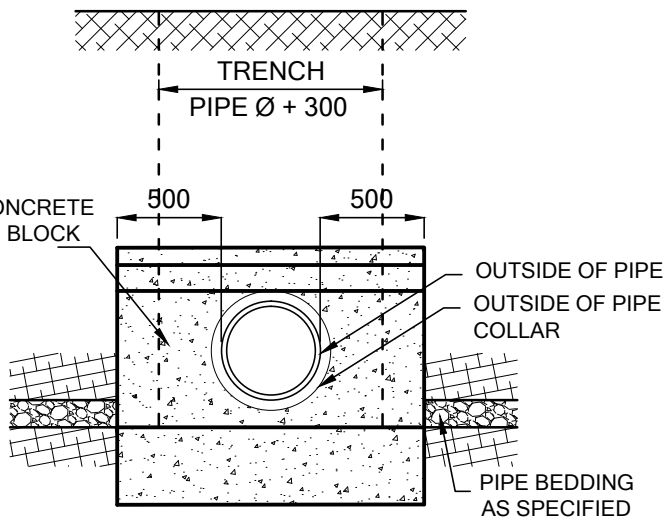


**SIDE ELEVATION**



**SECTION A-A**

**NOTES:**

1. ALL DIMENSIONS ARE IN MILLIMETRES UNLESS STATED OTHERWISE
2. CONCRETE SHALL BE 25MPa MINIMUM STRENGTH
3. ANCHOR BLOCKS SHALL BE LOCATED AT THE NEAREST JOINT, APPROXIMATELY 2.4m FROM THE LOWER END, THEN;
  - (a) AT 5m SPACINGS WHERE PIPE GRADE IS STEEPER THAN 1 IN 5;
  - OR
  - (b) AT 10m SPACINGS WHERE PIPE GRADE IS STEEPER THAN 1 IN 10

AMENDMENTS		DATE		<h2>ANCHOR BLOCK</h2>	DRAWN BY: WDA
ORIGINAL - WDA		8/97			DATE: JAN '07
UPDATED NOTES & DETAILS		12/05			SCALE: N.T.S.
					DRAWING NO.:
					SD / D3
			MANAGER CIVIL DEVELOPMENT SERVICES		