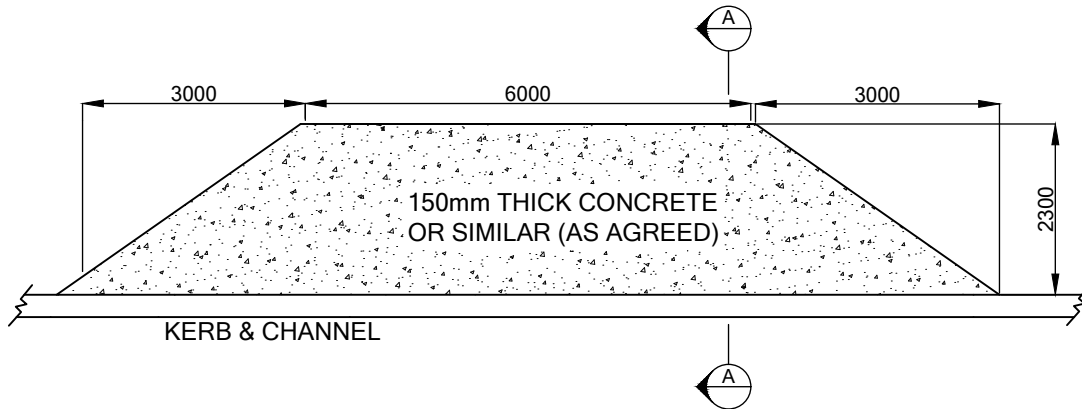
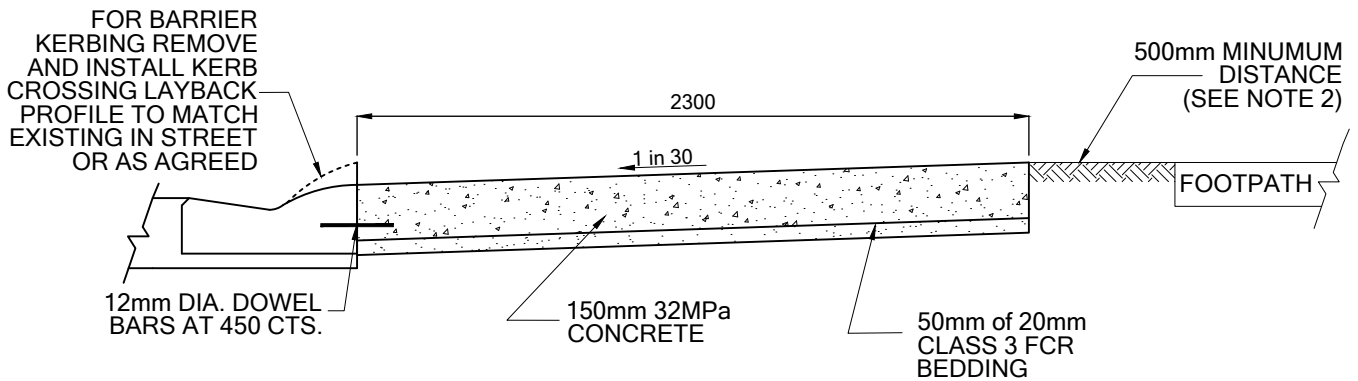


ADJACENT TO CROSSOVER CROSSING PLAN




NO CROSSOVER CROSSING PLAN



SECTION A - A

NOTES:

1. ALL DIMENSIONS ARE IN MILLIMETERS UNLESS STATED OTHERWISE
2. CONCRETE TO EXTEND TO FOOTPATH IF DISTANCE IS LESS THAN 500mm. EXISTING FOOTPATH ADJACENT TO PARKING BAY TO BE REMOVED AND REPLACED WITH 150mm DEPTH CONCRETE FOOTPATH WHERE REQUIRED
3. THE CONTRACTOR IS TO VERIFY THE LOCATION & DEPTH OF ALL UTILITY SERVICES PRIOR TO CARRYING OUT WORKS BY DIALING 1100 'DIAL BEFORE YOU DIG'
4. COLOR OF CONCRETE TO BE IN CONTEXT WITH SURROUNDING AREA
5. REVERSE CROSS FALL BAYS ARE NOT TO EXCEED 1 in 30 AND ARE TO INCLUDE APPROPRIATE DRAINAGE CONTROL

AMENDMENTS	DATE	 <p>Yarra Ranges Council MANAGER INFRASTRUCTURE SERVICES</p>	ON-STREET INDENTED PARKING BAY (SINGLE ONLY)	DRAWN BY: JBV
ORIGINAL	12/07			DATE: FEB '16
REPLACE BRICK PAVERS BY 150mm CONCRETE	07/15			SCALE: N.T.S.
DELETE CONCRETE EDGE STRIP	02/16 PH			DRAWING NO.:
				SD / C6